

## Technical Features



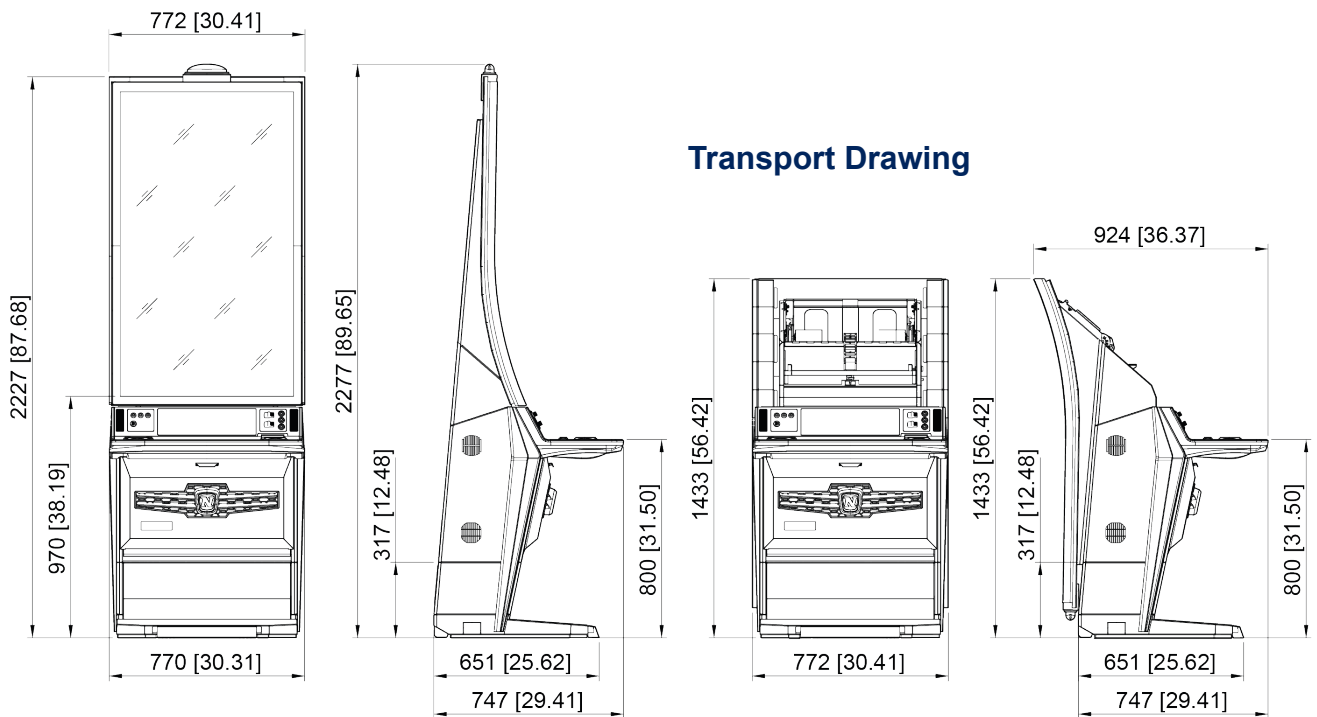
Symbolic Picture

<b>Cabinet Type</b>	Stand (ST)		
<b>Top Light</b>	Game light (horizontal, 2/3 colors)		
<b>Monitor</b>	1 TFT 55" J-curved (16:9) PCAP Touch		
<b>Cash Handling</b>			
Bill Validator	iVIZION-100-SS, MEI SCNxxxx (Cashflow), MEI SCNMxxxx (Cashflow), UBA-1x-SS, UBA Pro		
Printer	Epic 950*, Epic Edge, GEN2*, GEN5		
<b>NBS**</b>	Futronic FS84, Futronic FS85, NBS-IRM		
<b>Player Tracking</b>	Available and customizable		
<b>Mainboard</b>	<b>Platform</b>	<b>Abbr.</b>	<b>Game Content</b>
	COBRA	CB	GGA, Impera, NOVO LINE
	FireFox II	FF2	GGA, Impera, NOVO LINE
<b>Player Panel</b>	With buttons or 15.6" PCAP TouchDeck		
<b>Sound</b>	2 full range loudspeakers and Novo Soundbox		
<b>Side Table</b>	<a href="#">D37</a> (optional)		

\* EOL = End of Life

\*\* NBS = Technologies for Casino Management

## Technical Data



<b>Machine Type</b>	FV330C
<b>Dimensions in mm [in]</b>	Width: 770 [30.31] Depth: 747 [29.41]
With Top Light	Height: 2257 [88.85]
Without Top Light	Height: 2207 [86.91]
<b>Dimensions for Transport in mm [in]</b>	Width: 772 [30.41] Depth: 924 [36.37] Height: 1413 [55.63]
<b>AC Line Voltage</b>	100–240 V~ 50–60 Hz, 3.8/1.9 A
<b>Power Consumption</b>	350 W
<b>Ambient Temperature</b>	10–35 °C
<b>Ambient Humidity</b>	30–80 % relative humidity (non-condensing)

### General Disclaimer

The manufacturer assumes no liability or responsibility for the accuracy, up-to-datedness and/or completeness of the information and data provided in the data sheet. Any and all liability relating to the data sheet (such as for damages due to incorrect or incomplete data) are based on the provision of the General Terms and Conditions of Sale and Delivery of NOVOMATIC AG (<https://www.novomatic.com/en/imprint>). © NOVOMATIC 09 2023

